



FLEET KIT - GP-DCS-300-DC

Keep your liftgate and pallet jack working all day!

300 WATTS OF SOLAR



3x FLEX-100

Solar FlexTM solar panels are designed to provide a powerful charging solution for batteries. Unlike other 'thin' products, Solar FlexTM uses high-efficiency monocrystalline cells that produce more power per square foot than any other flat panel on the market.

Built to withstand the harshest conditions.

- High-efficiency, back-contact solar cells
- Penetrating or adhesive mounting option
- Curves up to 30 degrees
- Durable surface is less than 1/8 in (3 mm) thick
- Industry standard quick-connect cables (MC4) work in series or in parallel
- Marine grade material
- Up to 82% lighter than other solar modules
- Solar output power limited warranty of 5 years

GO POWER! AUTO SWITCHING WITH GP-ASU

The GP-ASU ensures maximum performance and yield from all types of PV systems year-round and in any environment.

The GP-ASU is an industrial Maximum Power Point Tracking (MPPT) charge controller featuring a robust, fully-sealed (IP68) housing that resists vibration as well as dust-, insect- and water ingress.

- IP68 rated waterproof protection with MC4 solar connections and Delphi battery connections
- Up to 98% power conversion efficiency
- 3-stage I/U curve sweep algorithm increases battery lifespan

- Anodized aluminum extrusion with built-in heat dissipation
- Fully encapsulated design prevents damage from water, corrosion, insects and/or dust
- Works with 12 or 24V battery systems (automatic battery voltage detection)
- Compatible with 60-cell modules
- Converts excess array voltage into additional charging current
- Allows up to 50% oversized array power for adding additional capacity in low-insolation months
- 5 year warranty



GP-ASU

Kits include:



Harness (40')



Harness (30")



3 x 15' 4Evasel Tape

DCS Cables:



GP-DCS-300-DC KIT Specifications

GP-FLEX-300 SPECIFICATIONS

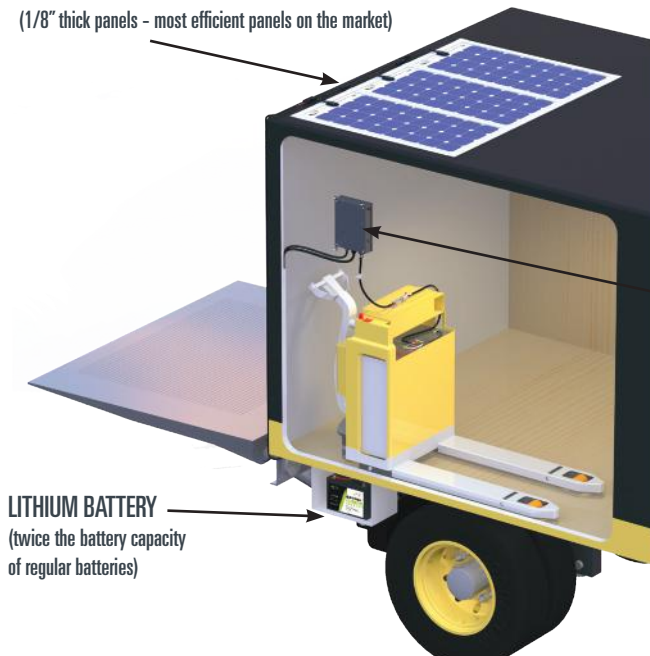
Rated power (Pm)	300W
Maximum power voltage (Vmp)	17.6V
Maximum power current (Imp)	17.04A
Open circuit voltage (Voc)	62.4V
Short circuit current (Isc)	18.42A
Power coefficient	-0.38% / °C
Voltage coefficient	-60.8mV / °C
Current coefficient	2.2mA / °C
Max power tolerance	+/- 5%
Cell type	Monocrystalline
Solar cell efficiency	21%
Series fuse rating	10A
Maximum system voltage	600VDC
Weight	2.9 lb (1.35 kg)
Dimensions	44.6 x 21.4 x 0.1 in 1134 x 544 x 3 mm
Frame type / material	Laminated TPT backsheet, includes stainless steel grommets

30° max. recommended bend

Power Specifications calculated at STC:

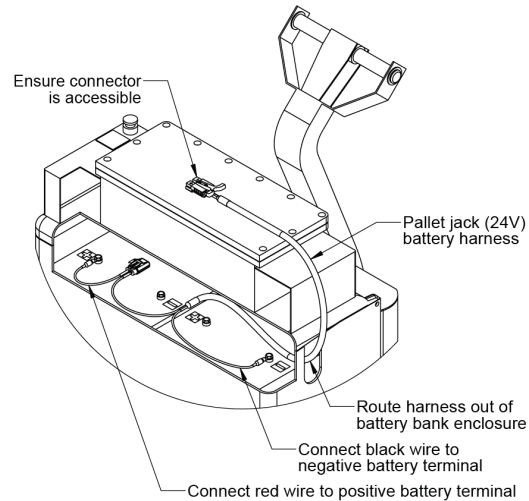
- Irradiance: 1000 W/m²
- Cell Temperature: 77 °F (25 °C)
- Air Mass: 1.5

POWER GENERATION WITHOUT IMPACTING HEIGHT
(1/8" thick panels - most efficient panels on the market)



GP-ASU SPECIFICATIONS

Nominal System Voltage	12/24V
Max Solar Array Current	20A
Battery Voltage Range	9V - 15.5V (12V System) 18V - 31V (24V System)
Max. Solar Panel Voltage	85V
Operating Consumption	<10mA
Temp. Compensation	-25mV / K (12V systems) -50mV/ K (24V systems)
Operating Temperature	40 to 140 °F (-40 to 60°C)
Humidity	99% N.C.
Dimensions (HxWxD)	88.5 x 112 x 41.4mm (3.45 x 4.41 x 1.63in)
Weight	360g (1.38 lbs)
Warranty	5 years
Protection	Battery Reverse Polarity, Solar Array Reverse Polarity, Over temperature, Over Current, PV Short Circuit, Battery Short Circuit, Over Current



GO POWER!
AUTO SWITCHING UNIT
(charge 12v and 24v with the same system)

